



## Emax Tech Bulletin 8

**Issue Date:** February 25, 2005 (Revised October 11, 2005)

**Equipment Effected:** Emax Ball Tray

**Version(s) Effected:** All

**Problem:** The ball tray computer will lock up after a static electricity discharge to the ball tray console.

**Cause:** Static electricity discharged as the caller reaches to the ball tray can cause the ball tray computer to lose communication with the Emax Dell computer. Usually restarting the console would correct the problem. This additional ball console grounding procedure will help prevent the static discharge from effecting the ball tray computer.

**Solution:** The screws originally used to attach the grounding clips to the console need to be changed to part number 40725. This new screw is a conductive screw and helps ground the clip to the frame. In the process of removing and replacing the old screws, scrape the paint off of the console where the clip makes contact and add the grounding wire HH1161. This will give a better metal-to-metal contact increasing static discharge. Connect the other end of the grounding wire to the ground stud on the manual game switch assembly. With the ball tray top removed, also replace the screws holding the manual game switch assembly with part number 60606 and replace the screws to the camera assembly with 40781 to help ground out these assemblies. Before reinstalling ball tray top, also scrape the paint from the underside where the ball tray top makes contact with the grounding clip to have a metal-to-metal contact also increasing static discharge.

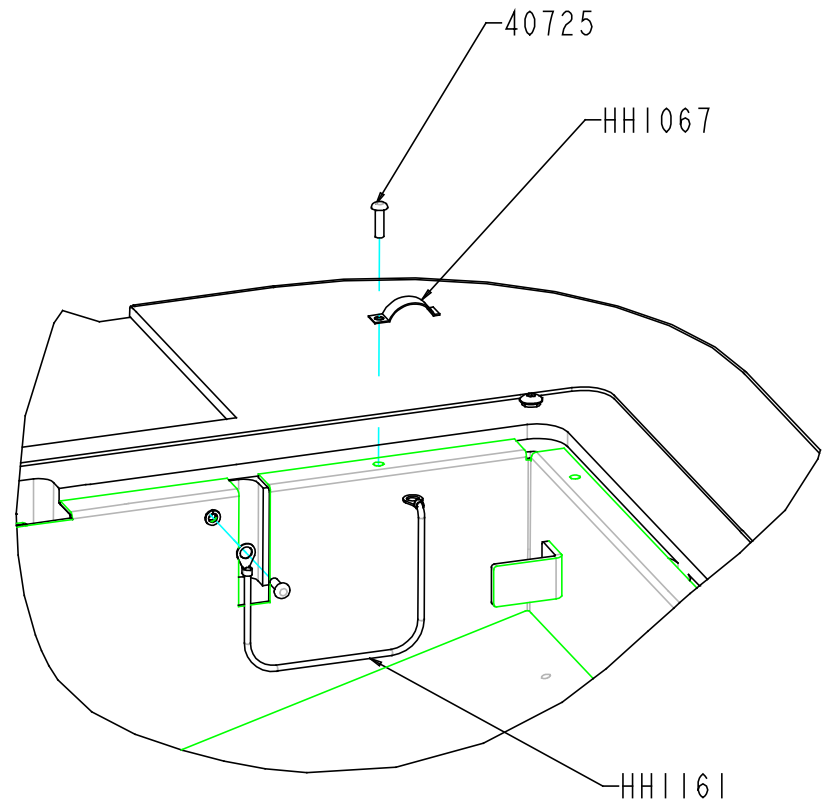
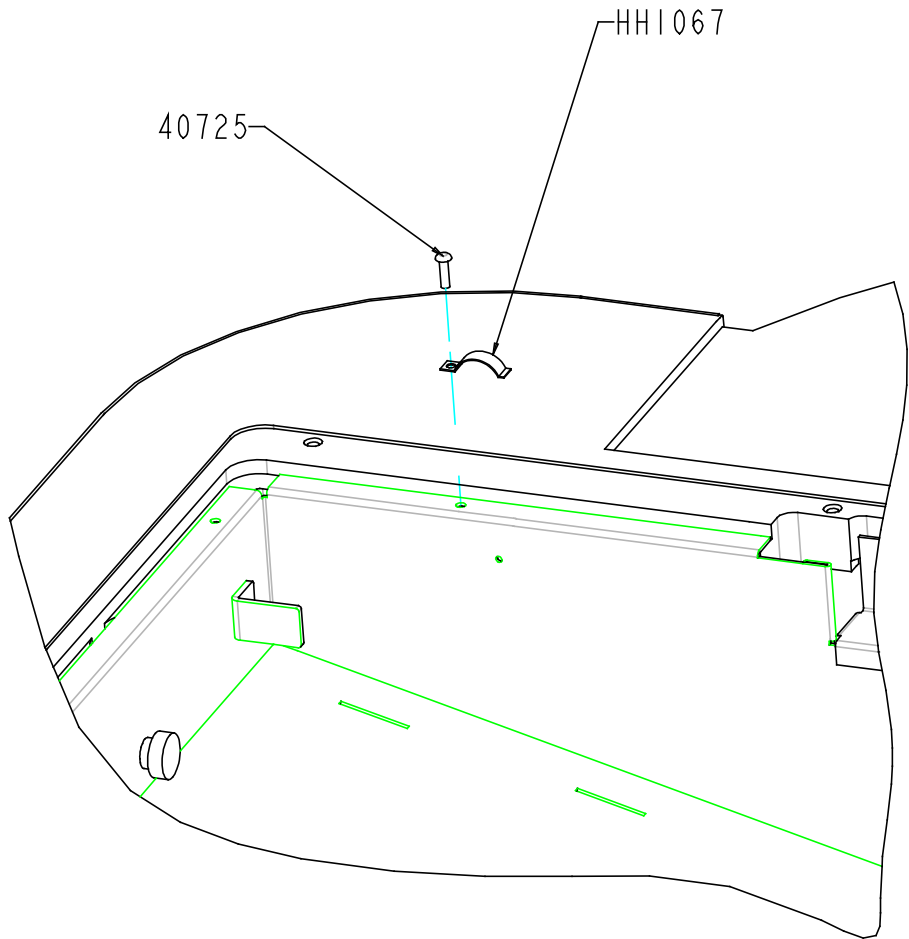
### Summary:

- Replace ground clip screws with part number 40725.
- Replace the Manual Game Switch Assembly screws with part number 60606 (including the lock washers that come with the 60606 screws).
- Replace the camera assembly screws with 40781 (*A few older systems may not be able to use these screws because the hole are too big. In this case, use a small bolt and star locking nut. Arrow part numbers: 60610, bolt; T438-6, lock nut.*)
- Add ground wire from ground clip to manual game switch assembly ground stud.
- Scrape paint from under grounding clip on console and on ball tray top where clip will touch.
- Replace ball tray computer screw with 40781 and star washer 40751.
- As a final check, using your multimeter, make sure that you have continuity from each HH-1067 Grounding Clip to all other HH-1067 Grounding Clips and also from each HH-1067 Grounding Clip to the Ground Wire on the E-Max Ball Console Power Cord.

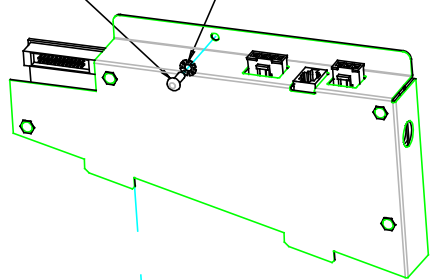
### Note:

Diagrams & pictures have been added to assist in installation of static kit.

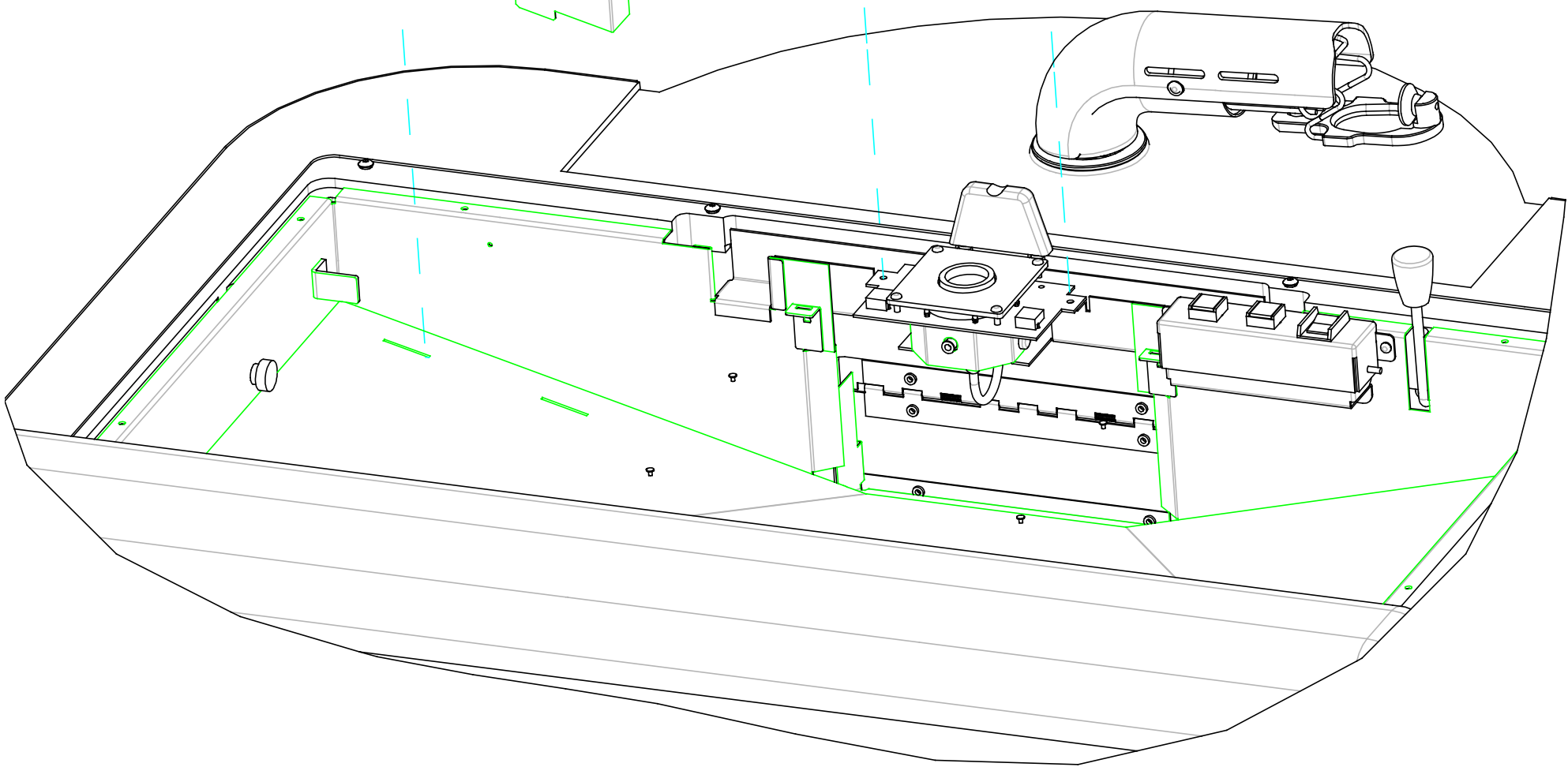
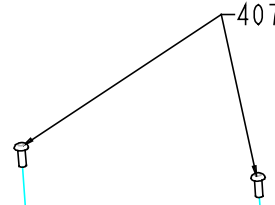
Static kit part number with needed parts: **HH1162**.

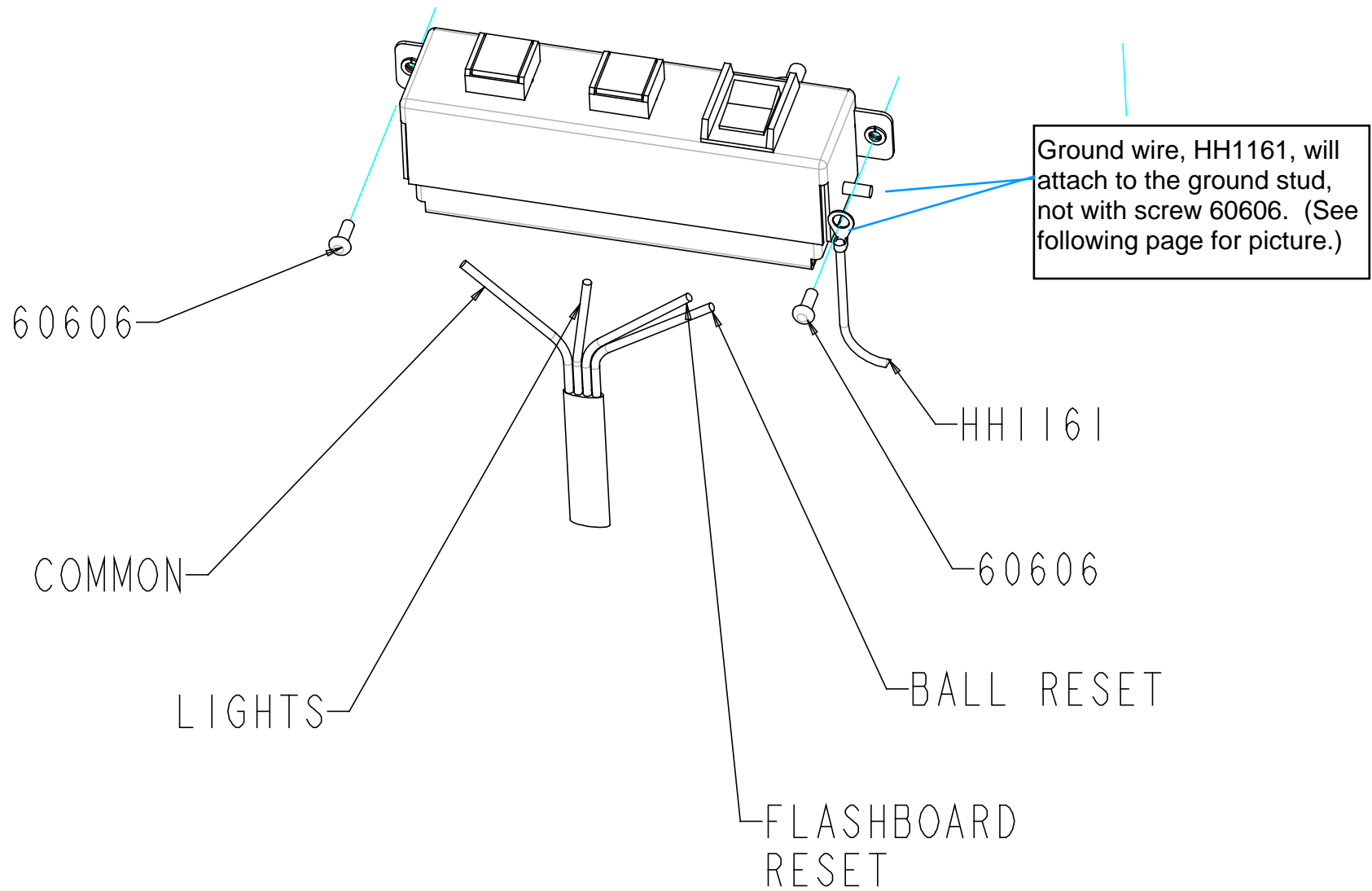


40781 40751



40781







Attach ground wire to manual game switch ground post and ground clip screw