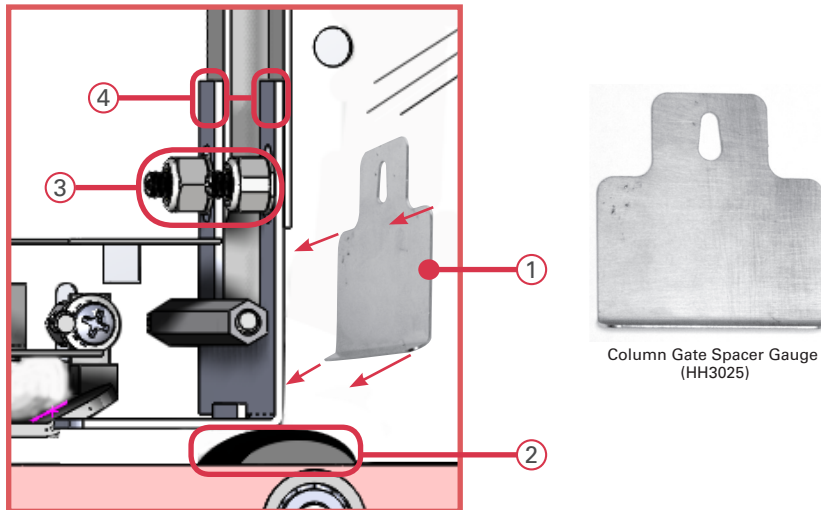


COLUMN GATE SPACING INSTRUCTIONS

Using the Column Gate Spacer Gauge

The Nevada Gold™ Pull Tab Dispenser adjusts to accommodate tickets that vary in thickness. To make the adjustment, you require one 11/32 inch socket.



- ① Column Gate Spacer Gauge
- ② Back Roller
- ③ Gate Height Adjustment Nuts
- ④ Ticket Gate Arms

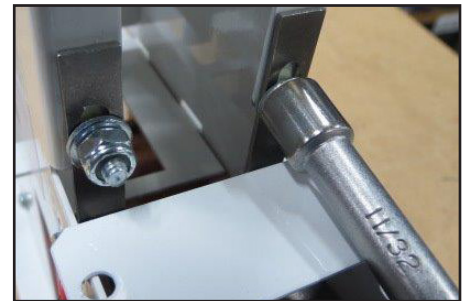


FIG. A

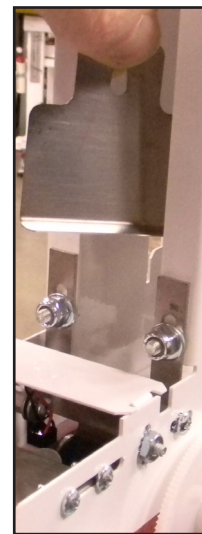


FIG. B



FIG. C



FIG. D



FIG. E

CAUTION: BEFORE ATTEMPTING ANY SERVICE TURN OFF AND UNPLUG THE DISPENSER.

1. Open the console door and the hopper door. With the column empty of tickets, turn the wheel so the groove on the back roller is not positioned directly under the gate.
2. Loosen the two gate height adjustment nuts using a 11/32 socket. SEE FIG. A
3. Insert the Column Gate Spacer Gauge into the column so that the Gauge is behind the gate and the bent tab is facing forward. SEE FIG. B AND FIG. C
4. Carefully turn the gear towards you so the bent tab of the Gauge rests under the gate and above the roller.
5. Press down on the gate, and hold the Spacer Gauge forward while tightening the gate height adjustment nuts. SEE FIG. D
6. Using the 11/32 socket tighten the nuts gradually, alternating from side to side to ensure that the edge of the gate stays parallel with the ticket. **Do not over tighten.** SEE FIG. E
7. Turn the gear back to release the Column Gate Spacer Gauge and lift it out.
8. Test vend tickets from the column to ensure that the correct number of tickets dispense. (See page 25 of the Nevada Gold Operations Manual for testing instructions.)